

# SMARTO

Disposable Battery Powered Driver

## SMARTO – Pen Type

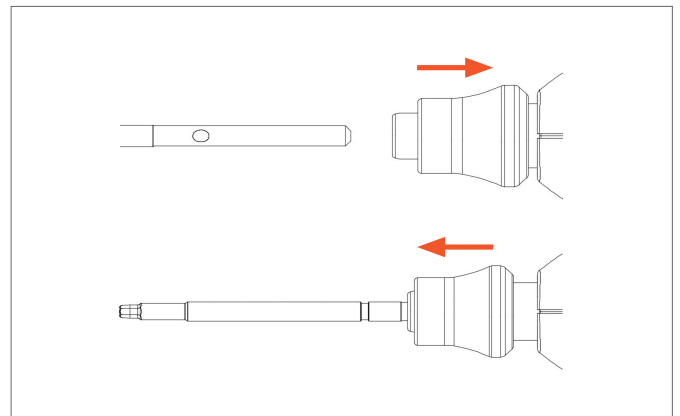


- Battery powered screwdriver
- Disposable sterile products for infection prevention
- Optimized for self-drilling screw insertion
- Diverse models with different torque values and rotational speeds for various purpose available
- Mechanical lock function for manual screw insertion
- Forward and Reverse rotational direction
- Exclusive screwdriver shaft available separately

## Gamma Sterilization Packaging



## How to Insert Driver Shaft



Specification		
Code	Torque (Ncm ±10%)	RPM (±10%)
111-ED-030	24	160
111-ED-050	45	210
111-ED-051	40	165

Recommended Application	
Code	Screw Diameter Recommendation
111-ED-030	NS Screw
111-ED-050	Ø2.5 Screw
111-ED-051	Ø2.4 / 2.7 Screw

## SMARTO – Gun Type

- Battery powered screwdriver
- Disposable sterile products for infection prevention
- Optimized for self-tapping screw insertion with larger diameter
- Robust gun type design for higher torque application
- Forward and Reverse rotational direction
- Exclusive screwdriver shaft available separately

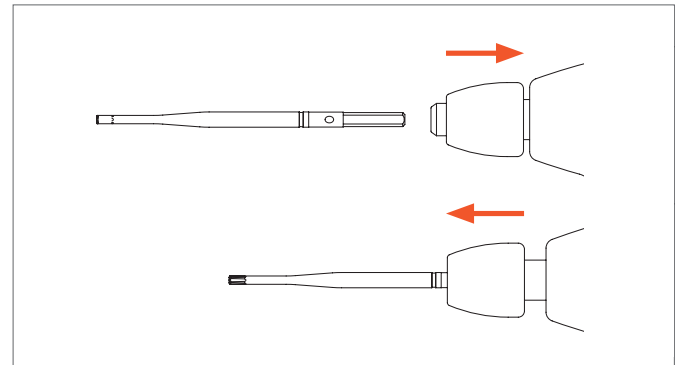
### How to Change Rotational Direction



### Gamma Sterilization Packaging



### How to Insert Driver Shaft



Specification		
Code	Torque (Ncm ±20%)	RPM (±15%)
111-ED-070	110	230
Recommended Application		
Code	Screw Diameter Recommendation	
111-ED-070	Ø3.5 / 4.0 Screw	

Smarto Product Information					
Code	Torque (Ncm)	RPM	Shaft Diameter	Connector Type	Packaging Unit
111-ED-030	24	160	Ø3.0 mm	Ball	1 ea
111-ED-050	45	210	Ø3.0 mm	Ball	1 ea
111-ED-051	40	165	Ø3.0 mm	Ball	1 ea
111-ED-070	110	230	Ø5.0 mm	Ball	1 ea

