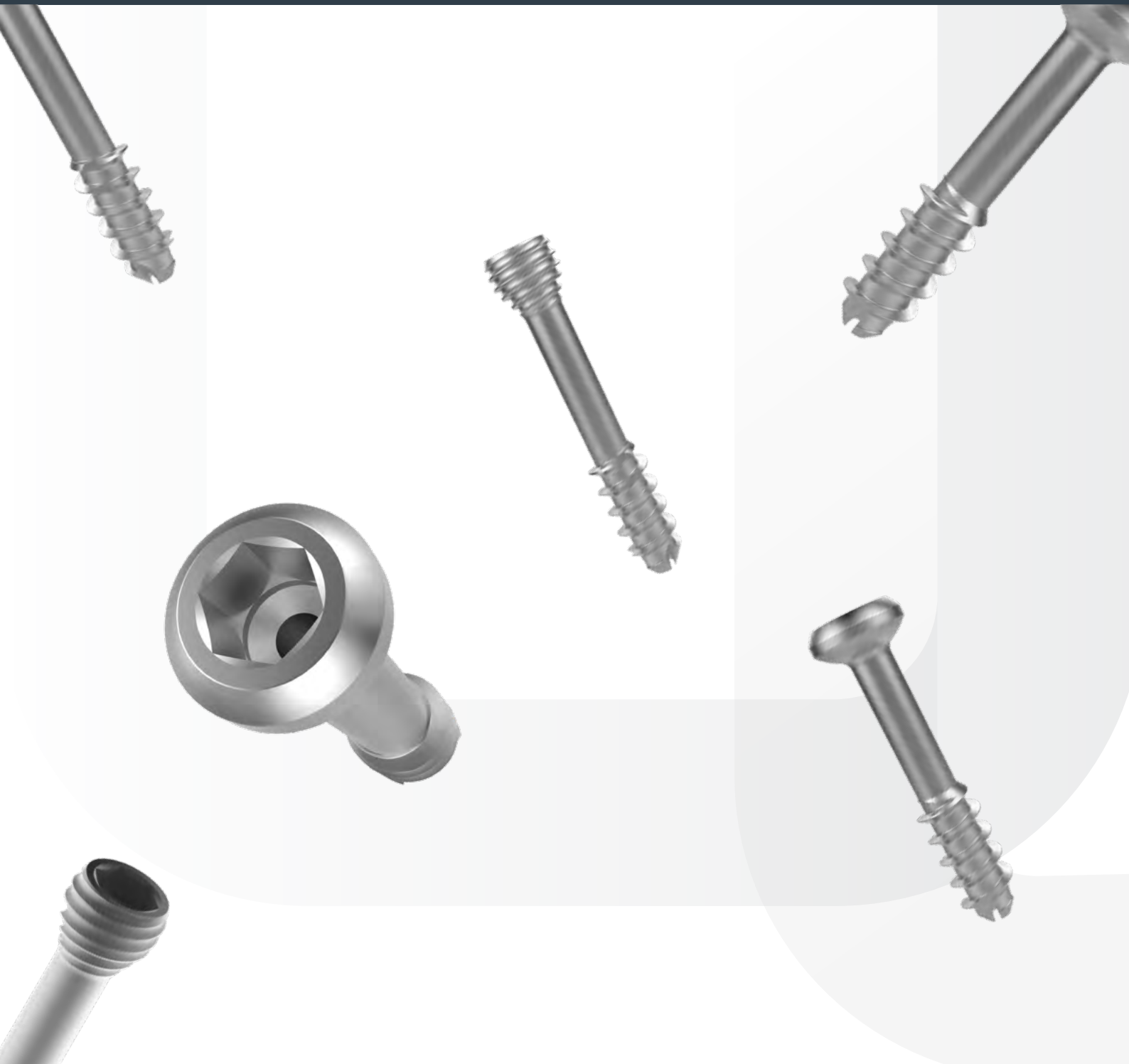


**JEIL**MEDICAL

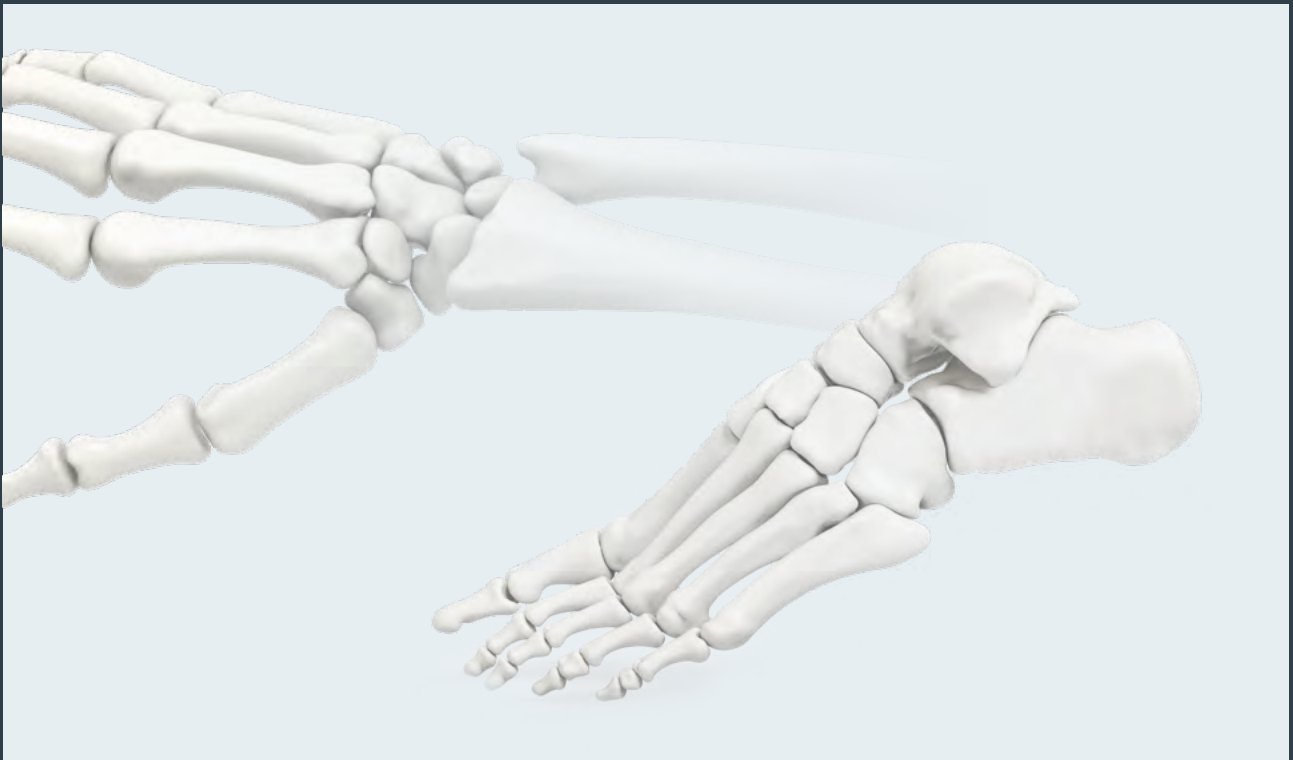
# **ARX CANNULATED SCREW SYSTEM**

2.3 / 3.0 / 4.0 / 4.5 / 6.0 Cannulated Screw



# Contents

3	Indications
4	Features and Benefits
	Surgical Technique
6	- Scaphoid
8	- Subtalar Arthrodesis
	Ordering Information
10	- 2.3 Cannulated Screws / 2.3 Cannulated Headless Screws
12	- 2.3 Cannulated Instruments
15	- 3.0 Cannulated Screws / 3.0 Cannulated Headless Screws
17	- 3.0 Cannulated Instruments
20	- 4.0 Cannulated Screws
21	- 4.0 Cannulated Instruments
24	- 4.5 / 6.0 Cannulated Screws
26	- 4.5 / 6.0 Cannulated Instruments
29	Set Configuration Suggestion
35	Reference Chart-Guide Pins / Drill Bits



**The ARIX Cannulated Screw System** is intended for use in internal fixation, reconstruction, or arthrodesis of small bones including the fore, mid- and hind foot and ankle.

**The ARIX Cannulated Screw System** is intended for use in internal fixation of the bones of hand and wrist. Examples of these procedures may include but are not limited to replantation, lag screw techniques, joint fusions, corrective osteotomies, and the treatment of fractures.

## Features and Benefits

### Titanium Alloy Material

Biocompatible, corrosion-resistant and non-toxic in a biological environment.

### Thread Length Choice

For best fit of distal threads into far bone fragment to bear increased interfragmentary compression.

### Self-Tapping Flutes

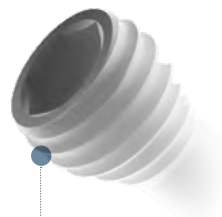
Reduced OR time by eliminating the need for tapping.

#### • Cannulated Screws



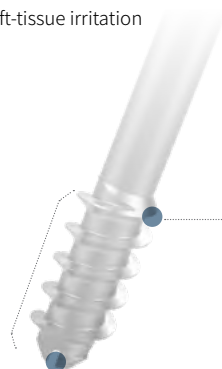
Low profile Screw Head  
Reduced possibility of soft-tissue irritation

#### • Cannulated Headless Screws



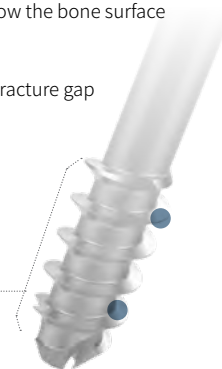
Cutting Flutes and Double Threads on Screw Head  
Facilitate countersinking of the screw head below the bone surface

Different Pitch of Head and Shaft Threads  
for controlled closure and compression of the fracture gap



Reverse cutting flute  
for ease of screw removal

Thread Length  
Choice





## | Surgical Technique

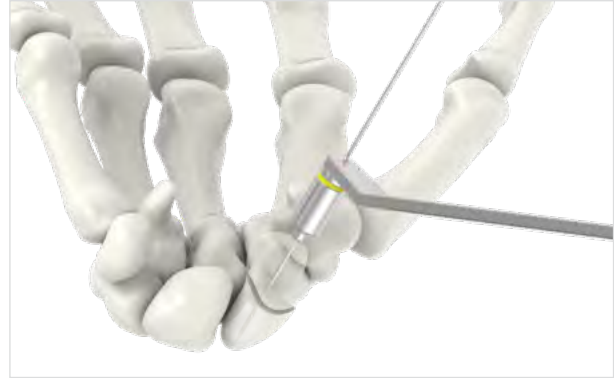


## Surgical Technique

### Scaphoid (2.3 Cannulated Headless Screw)

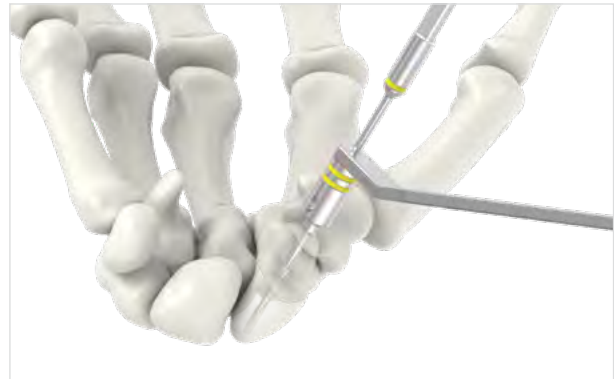
#### 1 Guide Wire Insertion

- Insert the guide wire through a drill guide.
- Check the insertion depth of the guide wire by using the C-Arm.
- Remove the drill guide and check the position of the guide wire and bone reduction status with the C-Arm.



#### 2 Drilling

- Drill up to far bone fragment with the cannulated drill bit.



#### 3 Depth Measurement

- Insert the depth gauge over the guide pin to read the screw length at the position of the guide pin tip.



#### Required Instruments



Drill Guide  
111-093



Guide Pin  
111-068-1



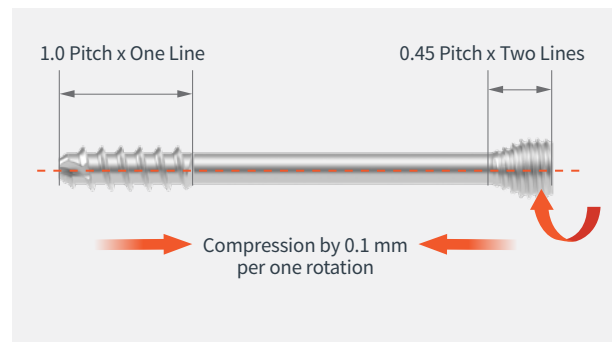
Drill Bit  
112-23-702



Depth Gauge  
111-061

#### 4 Screw Insertion

- Select a screw with the same length as the length read with the depth gauge. Insert the screw over the guide pin with the screw driver.
- Remove the guide pin when the screw is completely inserted.
- The ARIX 2.3 cannulated headless screw causes compression between the bone fragments due to the difference in pitch of the threads located in the screw head and shaft. Compression distance 0.1 mm per one rotation.



Screwdriver Shaft  
113-HF-608



Screwdriver Handle  
111-063

## Subtalar Arthrodesis (6.0 Cannulated Screw)

### 1 Guide Wire Insertion

- Place a drill guide at the desired insertion position and insert the guide wire to the desired depth while checking the position through C-Arm.

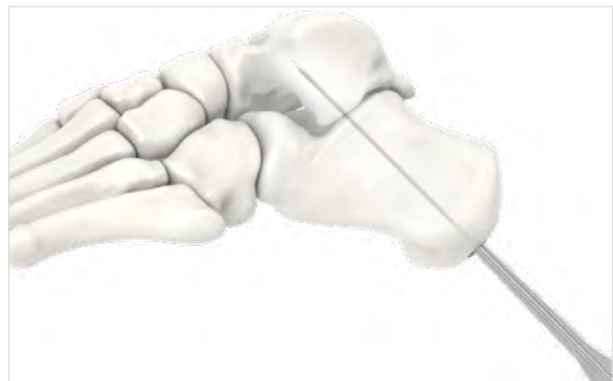


### 2 Countersinking and Screw Depth Measurement

- Countersink with the countersink drill bit after removing the drill guide.
- Measure the required screw length with the depth gauge.



*CAUTION: Do not use power tools during countersinking to prevent excessive bone loss.*



### Required Instruments



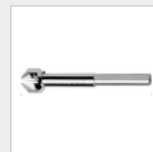
Drill Guide  
111-059



Guide Pin  
111-068-4



Drill Bit  
112-60-601



Cannulated  
Countersink  
Drill Bit  
111-072



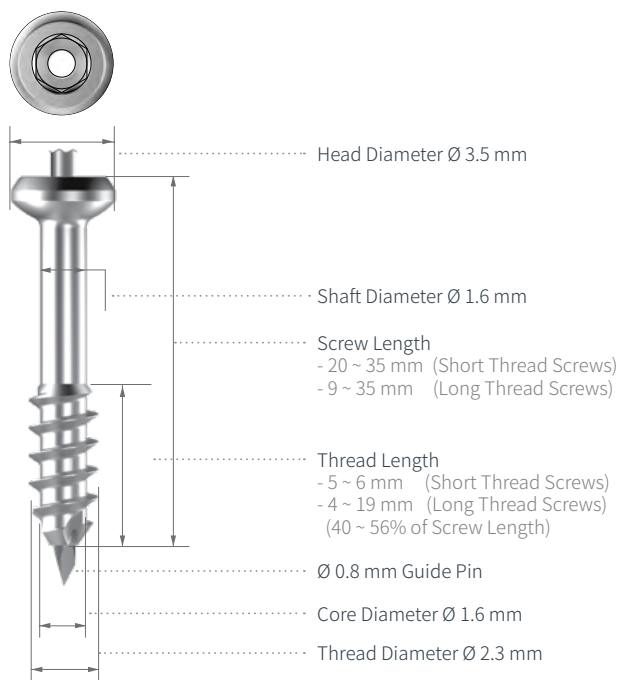
### 3 Pre-Drilling and Screw Insertion

- Drill over the guide wire with the 4.8 mm cannulated drill bit.
- Select a screw with the length read through the depth gauge, and insert it over the guide pin.
- Insert the screw until the head of the screw is completely seated in the bone.
- If it is osteoporotic bone or the cortex is thin, then the washer can be used to increase the surface area of the screw head (in this case, do not use countersink drill)



Compression Washer  
111-069-2

## 2.3 Cannulated Screws



### Short Thread Screw

### Long Thread Screw

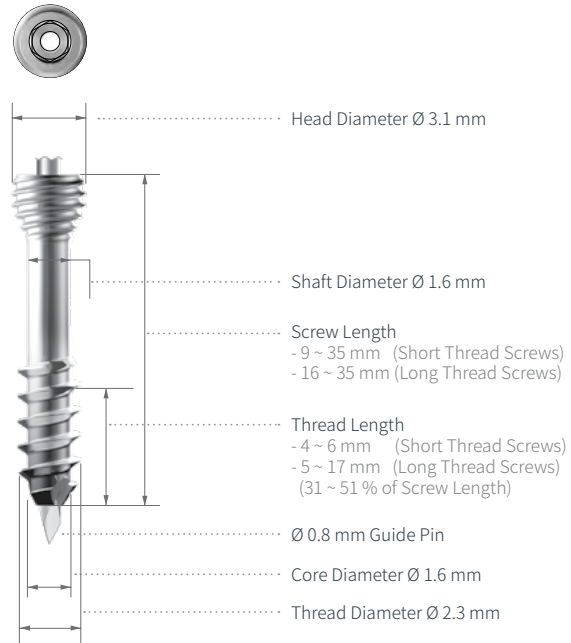
[Unit: mm]

Code	Thread Length	Screw Length	Code	Thread Length	Screw Length
23-CS-020	5	20	23-CS-009L	4	9
23-CS-022	5	22	23-CS-010L	4	10
23-CS-024	6	24	23-CS-011L	5	11
23-CS-026	6	26	23-CS-012L	5	12
23-CS-028	6	28	23-CS-013L	6	13
23-CS-030	6	30	23-CS-014L	6	14
23-CS-035	6	35	23-CS-015L	7	15
			23-CS-016L	7	16
			23-CS-017L	8	17
			23-CS-018L	9	18
			23-CS-019L	9	19
			23-CS-020L	9	20
			23-CS-022L	10	22
			23-CS-024L	10	24
			23-CS-026L	12	26
			23-CS-028L	12	28
			23-CS-030L	14	30
			23-CS-035L	19	35

Code	Description	Set Quantity
23-CS-XXX	2.3 Cannulated Screws (3 pieces per length)	75

## 2.3 Cannulated Headless Screws



### Short Thread Screw

### Long Thread Screw

[Unit: mm]

Code	Thread Length	Screw Length	Code	Thread Length	Screw Length	Code	Thread Length	Screw Length
23-CH-009	4	9	23-CH-021	4	21	23-CH-016L	5	16
23-CH-010	4	10	23-CH-022	4	22	23-CH-017L	6	17
23-CH-011	4	11	23-CH-023	4	23	23-CH-018L	6	18
23-CH-012	4	12	23-CH-024	4	24	23-CH-019L	7	19
23-CH-013	4	13	23-CH-025	5	25	23-CH-020L	7	20
23-CH-014	4	14	23-CH-026	5	26	23-CH-022L	8	22
23-CH-015	4	15	23-CH-027	6	27	23-CH-024L	8	24
23-CH-016	4	16	23-CH-028	6	28	23-CH-026L	10	26
23-CH-017	4	17	23-CH-029	6	29	23-CH-028L	10	28
23-CH-018	4	18	23-CH-030	6	30	23-CH-030L	12	30
23-CH-019	4	19	23-CH-035	6	35	23-CH-035L	17	35
23-CH-020	4	20						

Code	Description	Set Quantity
23-CH-XXX	2.3 Cannulated Headless Screws (3 pieces per length)	102

## 2.3 Instruments

### Drill Bit & Screwdriver Shaft



112-23-702



113-HF-608

Code	Description	Set Quantity
112-23-702	Cannulated Drill Bit Ø 1.8 mm for Ø 2.3 mm Cannulated Screws (AO Type)	2
113-HF-608	Hexagonal Screwdriver Shaft for Ø 2.3 mm Cannulated Screws	2

### Cannulated Countersink Drill Bit



Code	Description	Set Quantity
111-094	Cannulated Countersink Drill Bit	1

### Screwdriver Handle



Code	Description	Set Quantity
111-063	Screwdriver Handle	2

### Depth Gauge



Code	Description	Set Quantity
111-061	Depth Gauge for Ø 2.3 / Ø 3.0 mm Screws, 0 ~ 50 mm	1

### Guide Pin



Code	Description	Set Quantity
111-068-1	Guide Pin Ø 0.8 mm for Ø 2.3 mm Screws	10

### Cleaning Stylet



Code	Description	Set Quantity
111-067-1	Cleaning Stylet Ø 0.8 mm	1

### Dispenser



Code	Description	Set Quantity
111-096-1	Dispenser	1

### Drill Guide



Code	Description	Set Quantity
111-093	Double Drill Guide for Ø 2.3 mm Screws	1

## 2.3 Instruments

### Forceps



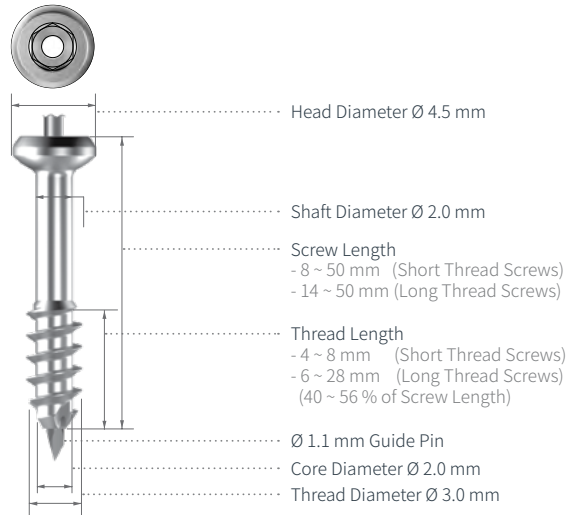
<i>Code</i>	<i>Description</i>	<i>Set Quantity</i>
114-009	Grasping Forceps	1

### Tray



<i>Code</i>	<i>Description</i>	<i>Set Quantity</i>
910.14AS01	ARIX 2.3 Cannulated Screw System Tray	1

## 3.0 Cannulated Screws



### Short Thread Screw

### Long Thread Screw

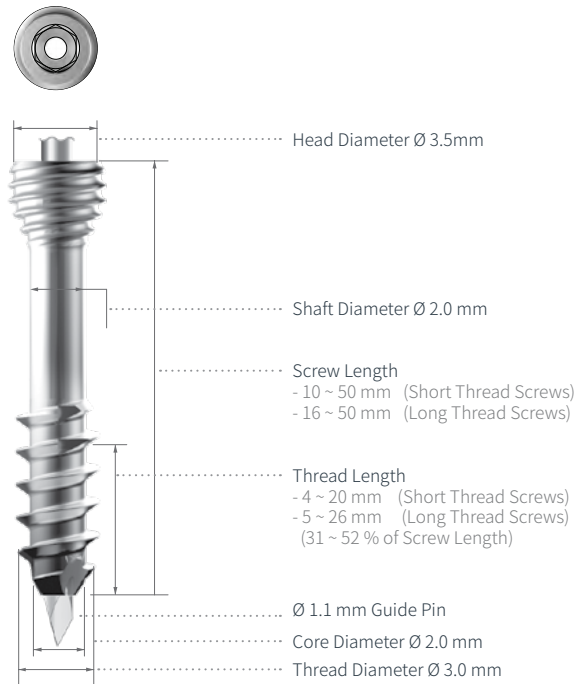
[Unit: mm]

Code	Thread Length	Screw Length	Code	Thread Length	Screw Length	Code	Thread Length	Screw Length
30-CS-008	4	8	30-CS-023	5	23	30-CS-014L	6	14
30-CS-009	4	9	30-CS-024	6	24	30-CS-015L	7	15
30-CS-010	4	10	30-CS-025	6	25	30-CS-016L	7	16
30-CS-011	4	11	30-CS-026	6	26	30-CS-017L	8	17
30-CS-012	4	12	30-CS-027	6	27	30-CS-018L	8	18
30-CS-013	4	13	30-CS-028	6	28	30-CS-019L	9	19
30-CS-014	4	14	30-CS-029	6	29	30-CS-020L	9	20
30-CS-015	4	15	30-CS-030	6	30	30-CS-021L	9	21
30-CS-016	4	16	30-CS-032	6	32	30-CS-022L	10	22
30-CS-017	4	17	30-CS-034	7	34	30-CS-023L	10	23
30-CS-018	5	18	30-CS-036	7	36	30-CS-024L	10	24
30-CS-019	5	19	30-CS-038	8	38	30-CS-025L	10	25
30-CS-020	5	20	30-CS-040	8	40	30-CS-026L	12	26
30-CS-021	5	21	30-CS-045	8	45	30-CS-027L	12	27
30-CS-022	5	22	30-CS-050	8	50	30-CS-028L	12	28
						30-CS-029L	12	29
						30-CS-030L	14	30
						30-CS-032L	14	32
						30-CS-034L	16	34
						30-CS-036L	16	36
						30-CS-038L	18	38
						30-CS-040L	18	40
						30-CS-045L	23	45
						30-CS-050L	28	50

Code	Description	Set Quantity
30-CS-XXX	3.0 Cannulated Screws (3 pieces per length)	162

## 3.0 Cannulated Headless Screws



### Short Thread Screw

### Long Thread Screw

[Unit: mm]

Code	Thread Length	Screw Length	Code	Thread Length	Screw Length	Code	Thread Length	Screw Length
30-CH-010	4	10	30-CH-024	5	24	30-CH-016L	5	16
30-CH-011	4	11	30-CH-025	5	25	30-CH-017L	6	17
30-CH-012	4	12	30-CH-026	5	26	30-CH-018L	6	18
30-CH-013	4	13	30-CH-027	6	27	30-CH-019L	7	19
30-CH-014	4	14	30-CH-028	6	28	30-CH-020L	7	20
30-CH-015	4	15	30-CH-029	6	29	30-CH-021L	8	21
30-CH-016	4	16	30-CH-030	7	30	30-CH-022L	8	22
30-CH-017	4	17	30-CH-032	7	32	30-CH-023L	8	23
30-CH-018	4	18	30-CH-034	8	34	30-CH-024L	8	24
30-CH-019	4	19	30-CH-036	9	36	30-CH-025L	8	25
30-CH-020	4	20	30-CH-038	9	38	30-CH-026L	10	26
30-CH-021	4	21	30-CH-040	10	40	30-CH-027L	10	27
30-CH-022	4	22	30-CH-045	15	45	30-CH-028L	10	28
30-CH-023	4	23	30-CH-050	20	50	30-CH-029L	10	29
						30-CH-030L	12	30
						30-CH-032L	12	32
						30-CH-034L	14	34
						30-CH-036L	14	36
						30-CH-038L	16	38
						30-CH-040L	16	40
						30-CH-045L	21	45
						30-CH-050L	26	50

Code	Description	Set Quantity
30-CH-XXX	3.0 Cannulated Headless Screws (3 pieces per length)	150



## 3.0 Instruments

### Drill Bit & Screwdriver Shaft



112-30-701



113-HF-603

Code	Description	Set Quantity
112-30-701	Cannulated Drill Bit Ø 2.2 mm for Ø 3.0 mm Screws (AO Type)	2
113-HF-603	Cannulated Screwdriver Shaft for Ø 3.0 mm Screws	2

### Cannulated Countersink Drill Bit



Code	Description	Set Quantity
111-072	Cannulated Countersink Drill Bit	1

### Screwdriver Handle



Code	Description	Set Quantity
111-063	Screwdriver Handle	2

### Guide Pin



Code	Description	Set Quantity
111-068-2	Guide Pin Ø 1.1 mm for Ø 3.0 mm Screws	5

## 3.0 Instruments

### Depth Gauge



Code	Description	Set Quantity
111-061	Depth Gauge for Ø 2.3 / Ø 3.0 mm Screws, 0 ~ 50 mm	1

### Cleaning Stylet



Code	Description	Set Quantity
111-067-2	Cleaning Stylet Ø 1.1 mm	1

### Forceps



111-064



114-009

Code	Description	Set Quantity
111-064	Screw Holding Forceps	1
114-009	Grasping Forceps	1

### Drill Guide



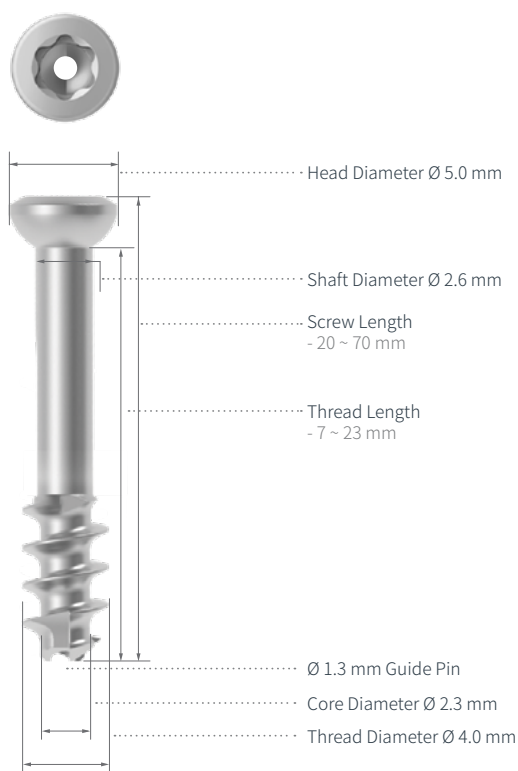
Code	Description	Set Quantity
111-057	Double Drill Guide for Ø 3.0 mm Screws	1

## Tray



<i>Code</i>	<i>Description</i>	<i>Set Quantity</i>
112-074	ARIX 3.0 Cannulated Screw System Tray	1

## 4.0 Cannulated Screws



[Unit: mm]

Code	Thread Length	Screw Length	Code	Thread Length	Screw Length
40-CO-020-T	7	20	40-CO-042-T	14	42
40-CO-022-T	7	22	40-CO-046-T	15	46
40-CO-024-T	8	24	40-CO-050-T	16	50
40-CO-026-T	9	26	40-CO-054-T	18	54
40-CO-028-T	9	28	40-CO-058-T	19	58
40-CO-030-T	10	30	40-CO-062-T	21	62
40-CO-034-T	11	34	40-CO-066-T	22	66
40-CO-038-T	12	38	40-CO-070-T	23	70

## 4.0 Instruments

### Drill Bit & Driver



112-40-701



113-HF-617

Code	Description	Set Quantity
112-40-701	Cannulated Drill Bit Ø 2.8 mm for Ø 4.0 mm Screw(AO Type)	2
113-HF-617	T15 Driver Inner Hole Ø 1.4 mm	2

### Cannulated Countersink Drill Bit



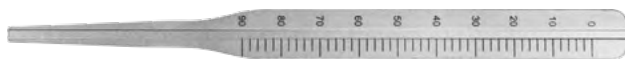
Code	Description	Set Quantity
111-072	Cannulated Countersink Drill Bit	1

### Screwdriver Handle



Code	Description	Set Quantity
111-063	Screwdriver Handle	1

### Depth Gauge



Code	Description	Set Quantity
111-062	Depth Gauge for Ø 4.0 mm Cannulated Screws, 0 ~ 80 mm	1

## 4.0 Instruments

### Guide Pin



<i>Code</i>	<i>Description</i>	<i>Set Quantity</i>
111-068-5	Guide Pin Ø 1.3 mm for Ø 4.0 mm Screws	10

### Cleaning Stylet



<i>Code</i>	<i>Description</i>	<i>Set Quantity</i>
111-067-5	Cleaning Stylet Ø 1.3 mm	2

### Dispenser



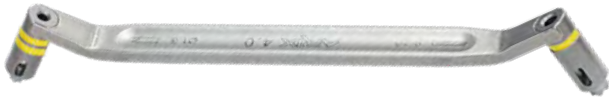
<i>Code</i>	<i>Description</i>	<i>Set Quantity</i>
111-096	Dispenser	1

### Compression Washer



<i>Code</i>	<i>Description</i>	<i>Set Quantity</i>
111-069-6	Compression Washer for Ø 4.0 mm Screws	6

## Drill Guide



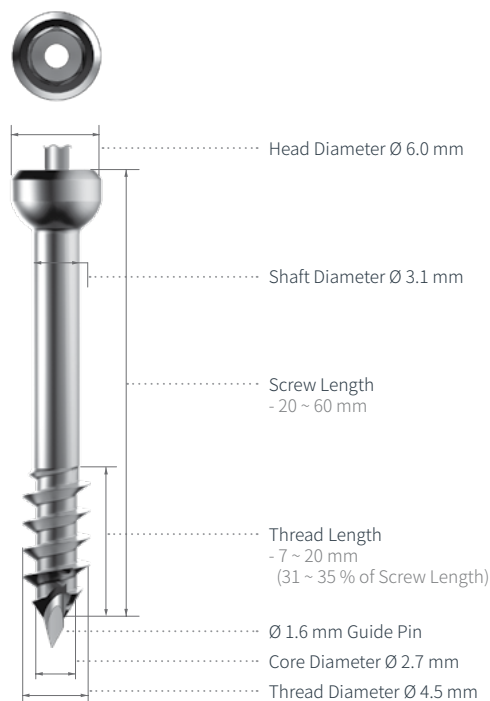
<i>Code</i>	<i>Description</i>	<i>Set Quantity</i>
111-098	Drill Guide for Ø4.0 mm Cannulated Screws	1

## Tray



<i>Code</i>	<i>Description</i>	<i>Set Quantity</i>
112-120	ARIX 4.0 Cannulated Screw System Tray	1

## 4.5 Cannulated Screws



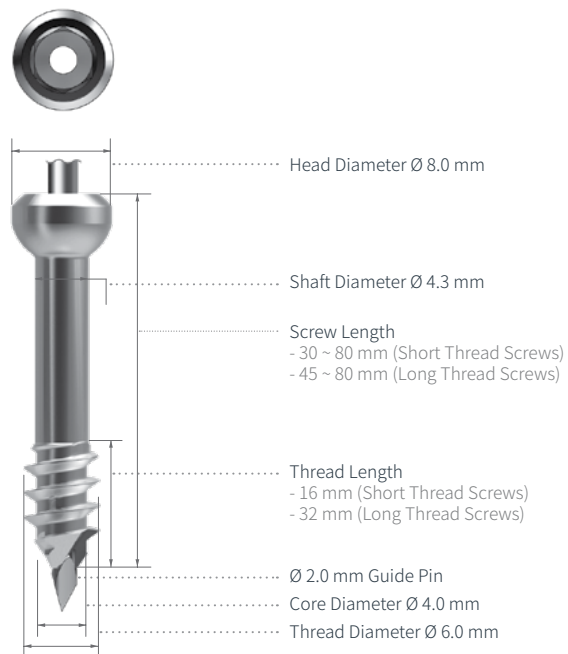
[Unit: mm]

Code	Thread Length	Screw Length	Code	Thread Length	Screw Length
45-CS-020	7	20	45-CS-040	13	40
45-CS-022	7	22	45-CS-042	14	42
45-CS-024	8	24	45-CS-044	15	44
45-CS-026	9	26	45-CS-046	15	46
45-CS-028	9	28	45-CS-048	16	48
45-CS-030	10	30	45-CS-050	17	50
45-CS-032	11	32	45-CS-052	17	52
45-CS-034	11	34	45-CS-054	18	54
45-CS-036	12	36	45-CS-056	19	56
45-CS-038	13	38	45-CS-060	20	60

Code	Description	Set Quantity
45-CS-XXX	4.5 Cannulated Screws (3 pieces per length)	60



## 6.0 Cannulated Screws



### Short Thread Screw

### Long Thread Screw

[Unit: mm]

Code	Thread Length	Screw Length	Code	Thread Length	Screw Length
60-CS-030	16	30	60-CS-045L	32	45
60-CS-035	16	35	60-CS-050L	32	50
60-CS-040	16	40	60-CS-055L	32	55
60-CS-045	16	45	60-CS-060L	32	60
60-CS-050	16	50	60-CS-065L	32	65
60-CS-055	16	55	60-CS-070L	32	70
60-CS-060	16	60	60-CS-075L	32	75
60-CS-065	16	65	60-CS-080L	32	80
60-CS-070	16	70			
60-CS-075	16	75			
60-CS-080	16	80			

Code	Description	Set Quantity
60-CS-XXX	6.0 Cannulated Screws (3 pieces per length)	57

## 4.5 / 6.0 Instruments

### Drill Bit & Screwdriver Shaft



112-45-601



112-60-601



113-HF-604



113-HF-605

Code	Description	Set Quantity
112-45-601	Cannulated Drill Bit Ø 3.5 mm for Ø 4.5 mm Screws(Drilling length: 85 mm, Overall length: 120 mm)	2
112-60-601	Cannulated Drill Bit Ø 4.8 mm for Ø 6.0 mm Screws(Drilling length: 105 mm, Overall length: 140 mm)	2
113-HF-604	Cannulated Screwdriver Shaft for Ø 4.5 mm Screws	2
113-HF-605	Cannulated Screwdriver Shaft for Ø 6.0 mm Screws	2

### Screwdriver Handle



Code	Description	Set Quantity
111-063	Screwdriver Handle	2

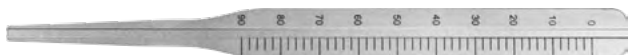
### Guide Pin



111-068-3 / 111-068-4

Code	Description	Set Quantity
111-068-3	Guide Pin Ø 1.6 mm for Ø 4.5 mm Screws	3
111-068-4	Guide Pin Ø 2.0 mm for Ø 6.0 mm Screws	3

### Depth Gauge



Code	Description	Set Quantity
111-062	Depth Gauge for Ø 4.5 / Ø 6.0 mm Screws, 0 ~ 80 mm	1

### Cleaning Stylet



111-067-3 / 111-067-4

Code	Description	Set Quantity
111-067-3	Cleaning Stylet Ø 1.6 mm	1
111-067-4	Cleaning Stylet Ø 2.0 mm	1

### Forceps



111-064



114-009

Code	Description	Set Quantity
111-064	Screw Holding Forceps	1
114-009	Grasping Forceps	1

### Countersink Drill Bit



Code	Description	Set Quantity
111-072	Cannulated Countersink Drill Bit	1

## 4.5 / 6.0 Instruments

### Compression Washer



111-069-1



111-069-2

Code	Description	Set Quantity
111-069-1	Compression Washer for Ø 4.5 mm Screws	3
111-069-2	Compression Washer for Ø 6.0 mm Screws	3

### Drill Guide



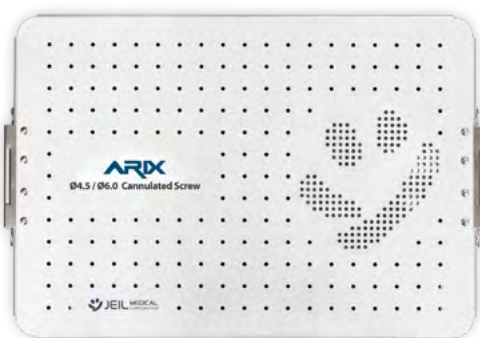
111-058



111-059

Code	Description	Set Quantity
111-058	Double Drill Guide for Ø 4.5 mm Screws	1
111-059	Double Drill Guide for Ø 6.0 mm Screws	1

### Tray



Code	Description	Set Quantity
112-076	ARIX 4.5 / 6.0 Cannulated Screw System Tray	1



| Set Configuration Suggestion



## 2.3 Set Configuration

2.3 mm Cannulated Screws				2.3 mm Cannulated Headless Screws			
No	Code	Description	Set Quantity	No	Code	Description	Set Quantity
1	23-CS-020	Short Thread Screw, Length 20 mm	3	1	23-CH-009	Short Thread Screw, Length 9 mm	3
2	23-CS-022	Short Thread Screw, Length 22 mm	3	2	23-CH-010	Short Thread Screw, Length 10 mm	3
3	23-CS-024	Short Thread Screw, Length 24 mm	3	3	23-CH-011	Short Thread Screw, Length 11 mm	3
4	23-CS-026	Short Thread Screw, Length 26 mm	3	4	23-CH-012	Short Thread Screw, Length 12 mm	3
5	23-CS-028	Short Thread Screw, Length 28 mm	3	5	23-CH-013	Short Thread Screw, Length 13 mm	3
6	23-CS-030	Short Thread Screw, Length 30 mm	3	6	23-CH-014	Short Thread Screw, Length 14 mm	3
7	23-CS-035	Short Thread Screw, Length 35 mm	3	7	23-CH-015	Short Thread Screw, Length 15 mm	3
8	23-CS-009L	Long Thread Screw, Length 9 mm	3	8	23-CH-016	Short Thread Screw, Length 16 mm	3
9	23-CS-010L	Long Thread Screw, Length 10 mm	3	9	23-CH-017	Short Thread Screw, Length 17 mm	3
10	23-CS-011L	Long Thread Screw, Length 11 mm	3	10	23-CH-018	Short Thread Screw, Length 18 mm	3
11	23-CS-012L	Long Thread Screw, Length 12 mm	3	11	23-CH-019	Short Thread Screw, Length 19 mm	3
12	23-CS-013L	Long Thread Screw, Length 13 mm	3	12	23-CH-020	Short Thread Screw, Length 20 mm	3
13	23-CS-014L	Long Thread Screw, Length 14 mm	3	13	23-CH-021	Short Thread Screw, Length 21 mm	3
14	23-CS-015L	Long Thread Screw, Length 15 mm	3	14	23-CH-022	Short Thread Screw, Length 22 mm	3
15	23-CS-016L	Long Thread Screw, Length 16 mm	3	15	23-CH-023	Short Thread Screw, Length 23 mm	3
16	23-CS-017L	Long Thread Screw, Length 17 mm	3	16	23-CH-024	Short Thread Screw, Length 24 mm	3
17	23-CS-018L	Long Thread Screw, Length 18 mm	3	17	23-CH-025	Short Thread Screw, Length 25 mm	3
18	23-CS-019L	Long Thread Screw, Length 19 mm	3	18	23-CH-026	Short Thread Screw, Length 26 mm	3
19	23-CS-020L	Long Thread Screw, Length 20 mm	3	19	23-CH-027	Short Thread Screw, Length 27 mm	3
20	23-CS-022L	Long Thread Screw, Length 22 mm	3	20	23-CH-028	Short Thread Screw, Length 28 mm	3
21	23-CS-024L	Long Thread Screw, Length 24 mm	3	21	23-CH-029	Short Thread Screw, Length 29 mm	3
22	23-CS-026L	Long Thread Screw, Length 26 mm	3	22	23-CH-030	Short Thread Screw, Length 30 mm	3
23	23-CS-028L	Long Thread Screw, Length 28 mm	3	23	23-CH-035	Short Thread Screw, Length 35 mm	3
24	23-CS-030L	Long Thread Screw, Length 30 mm	3	24	23-CH-016L	Long Thread Screw, Length 16 mm	3
25	23-CS-035L	Long Thread Screw, Length 35 mm	3	25	23-CH-017L	Long Thread Screw, Length 17 mm	3
				26	23-CH-018L	Long Thread Screw, Length 18 mm	3
				27	23-CH-019L	Long Thread Screw, Length 19 mm	3
				28	23-CH-020L	Long Thread Screw, Length 20 mm	3
				29	23-CH-022L	Long Thread Screw, Length 22 mm	3
				30	23-CH-024L	Long Thread Screw, Length 24 mm	3
				31	23-CH-026L	Long Thread Screw, Length 26 mm	3
				32	23-CH-028L	Long Thread Screw, Length 28 mm	3
				33	23-CH-030L	Long Thread Screw, Length 30 mm	3
				34	23-CH-035L	Long Thread Screw, Length 35 mm	3

Instruments			
No	Code	Description	Set Quantity
1	910.14AS01	ARIX 2.3 Cannulated Screw System Tray	1
2	112-23-702	Cannulated Drill Bit $\varnothing$ 1.8 mm for $\varnothing$ 2.3 mm Cannulated Screws (AO Type)	2
3	113-HF-608	Hexagonal Screwdriver Shaft for $\varnothing$ 2.3 mm Cannulated Screws	2
4	111-094	Cannulated Countersink Drill Bit	1
5	111-063	Screwdriver Handle	2
6	111-061	Depth Gauge for $\varnothing$ 2.3 / $\varnothing$ 3.0 mm Screws, 0 ~ 50 mm	1
7	111-067-1	Cleaning Stylet $\varnothing$ 0.8 mm	1
8	111-068-1	Guide Pin $\varnothing$ 0.8 mm for $\varnothing$ 2.3 mm Screws	10
9	111-096-1	Dispenser	1
10	114-009	Grasping Forceps	1
11	111-093	Double Drill Guide for $\varnothing$ 2.3 mm Screws	1

### 3.0 Set Configuration

3.0 mm Cannulated Screws				3.0 mm Headless Cannulated Screws			
No	Code	Description	Set Quantity	No	Code	Description	Set Quantity
1	30-CS-008	Short Thread Screw, Length 8 mm	3	1	30-CH-010	Short Thread Screw, Length 10 mm	3
2	30-CS-009	Short Thread Screw, Length 9 mm	3	2	30-CH-011	Short Thread Screw, Length 11 mm	3
3	30-CS-010	Short Thread Screw, Length 10 mm	3	3	30-CH-012	Short Thread Screw, Length 12 mm	3
4	30-CS-011	Short Thread Screw, Length 11 mm	3	4	30-CH-013	Short Thread Screw, Length 13 mm	3
5	30-CS-012	Short Thread Screw, Length 12 mm	3	5	30-CH-014	Short Thread Screw, Length 14 mm	3
6	30-CS-013	Short Thread Screw, Length 13 mm	3	6	30-CH-015	Short Thread Screw, Length 15 mm	3
7	30-CS-014	Short Thread Screw, Length 14 mm	3	7	30-CH-016	Short Thread Screw, Length 16 mm	3
8	30-CS-015	Short Thread Screw, Length 15 mm	3	8	30-CH-017	Short Thread Screw, Length 17 mm	3
9	30-CS-016	Short Thread Screw, Length 16 mm	3	9	30-CH-018	Short Thread Screw, Length 18 mm	3
10	30-CS-017	Short Thread Screw, Length 17 mm	3	10	30-CH-019	Short Thread Screw, Length 19 mm	3
11	30-CS-018	Short Thread Screw, Length 18 mm	3	11	30-CH-020	Short Thread Screw, Length 20 mm	3
12	30-CS-019	Short Thread Screw, Length 19 mm	3	12	30-CH-021	Short Thread Screw, Length 21 mm	3
13	30-CS-020	Short Thread Screw, Length 20 mm	3	13	30-CH-022	Short Thread Screw, Length 22 mm	3
14	30-CS-021	Short Thread Screw, Length 21 mm	3	14	30-CH-023	Short Thread Screw, Length 23 mm	3
15	30-CS-022	Short Thread Screw, Length 22 mm	3	15	30-CH-024	Short Thread Screw, Length 24 mm	3
16	30-CS-023	Short Thread Screw, Length 23 mm	3	16	30-CH-025	Short Thread Screw, Length 25mm	3
17	30-CS-024	Short Thread Screw, Length 24 mm	3	17	30-CH-026	Short Thread Screw, Length 26 mm	3
18	30-CS-025	Short Thread Screw, Length 25 mm	3	18	30-CH-027	Short Thread Screw, Length 27 mm	3
19	30-CS-026	Short Thread Screw, Length 26 mm	3	19	30-CH-028	Short Thread Screw, Length 28 mm	3
20	30-CS-027	Short Thread Screw, Length 27 mm	3	20	30-CH-029	Short Thread Screw, Length 29 mm	3
21	30-CS-028	Short Thread Screw, Length 28 mm	3	21	30-CH-030	Short Thread Screw, Length 30 mm	3
22	30-CS-029	Short Thread Screw, Length 29 mm	3	22	30-CH-032	Short Thread Screw, Length 32 mm	3
23	30-CS-030	Short Thread Screw, Length 30 mm	3	23	30-CH-034	Short Thread Screw, Length 34 mm	3
24	30-CS-032	Short Thread Screw, Length 32 mm	3	24	30-CH-036	Short Thread Screw, Length 36 mm	3
25	30-CS-034	Short Thread Screw, Length 34 mm	3	25	30-CH-038	Short Thread Screw, Length 38 mm	3
26	30-CS-036	Short Thread Screw, Length 36 mm	3	26	30-CH-040	Short Thread Screw, Length 40 mm	3
27	30-CS-038	Short Thread Screw, Length 38 mm	3	27	30-CH-045	Short Thread Screw, Length 45 mm	3
28	30-CS-040	Short Thread Screw, Length 40 mm	3	28	30-CH-050	Short Thread Screw, Length 50 mm	3
29	30-CS-045	Short Thread Screw, Length 45 mm	3	29	30-CH-016L	Long Thread Screw, Length 16 mm	3
30	30-CS-050	Short Thread Screw, Length 50 mm	3	30	30-CH-017L	Long Thread Screw, Length 17 mm	3
31	30-CS-014L	Long Thread Screw, Length 14 mm	3	31	30-CH-018L	Long Thread Screw, Length 18 mm	3
32	30-CS-015L	Long Thread Screw, Length 15 mm	3	32	30-CH-019L	Long Thread Screw, Length 19 mm	3
33	30-CS-016L	Long Thread Screw, Length 16 mm	3	33	30-CH-020L	Long Thread Screw, Length 20 mm	3
34	30-CS-017L	Long Thread Screw, Length 17 mm	3	34	30-CH-021L	Long Thread Screw, Length 21 mm	3
35	30-CS-018L	Long Thread Screw, Length 18 mm	3	35	30-CH-022L	Long Thread Screw, Length 22 mm	3
36	30-CS-019L	Long Thread Screw, Length 19 mm	3	36	30-CH-023L	Long Thread Screw, Length 23 mm	3
37	30-CS-020L	Long Thread Screw, Length 20 mm	3	37	30-CH-024L	Long Thread Screw, Length 24 mm	3
38	30-CS-021L	Long Thread Screw, Length 21 mm	3	38	30-CH-025L	Long Thread Screw, Length 25 mm	3
39	30-CS-022L	Long Thread Screw, Length 22 mm	3	39	30-CH-026L	Long Thread Screw, Length 26 mm	3
40	30-CS-023L	Long Thread Screw, Length 23 mm	3	40	30-CH-027L	Long Thread Screw, Length 27 mm	3
41	30-CS-024L	Long Thread Screw, Length 24 mm	3	41	30-CH-028L	Long Thread Screw, Length 28 mm	3
42	30-CS-025L	Long Thread Screw, Length 25 mm	3	42	30-CH-029L	Long Thread Screw, Length 29 mm	3
43	30-CS-026L	Long Thread Screw, Length 26 mm	3	43	30-CH-030L	Long Thread Screw, Length 30 mm	3
44	30-CS-027L	Long Thread Screw, Length 27 mm	3	44	30-CH-032L	Long Thread Screw, Length 32 mm	3
45	30-CS-028L	Long Thread Screw, Length 28 mm	3	45	30-CH-034L	Long Thread Screw, Length 34 mm	3
46	30-CS-029L	Long Thread Screw, Length 29 mm	3	46	30-CH-036L	Long Thread Screw, Length 36 mm	3
47	30-CS-030L	Long Thread Screw, Length 30 mm	3	47	30-CH-038L	Long Thread Screw, Length 38 mm	3
48	30-CS-032L	Long Thread Screw, Length 32 mm	3	48	30-CH-040L	Long Thread Screw, Length 40 mm	3
49	30-CS-034L	Long Thread Screw, Length 34 mm	3	49	30-CH-045L	Long Thread Screw, Length 45 mm	3
50	30-CS-036L	Long Thread Screw, Length 36 mm	3	50	30-CH-050L	Long Thread Screw, Length 50 mm	3
51	30-CS-038L	Long Thread Screw, Length 38 mm	3				
52	30-CS-040L	Long Thread Screw, Length 40 mm	3				
53	30-CS-045L	Long Thread Screw, Length 45 mm	3				
54	30-CS-050L	Long Thread Screw, Length 50 mm	3				

## 3.0 Set Configuration

<i>Instruments</i>			
<i>No</i>	<i>Code</i>	<i>Description</i>	<i>Set Quantity</i>
1	112-074	ARIX 3.0 Cannulated Screw System Tray	1
2	112-30-701	Cannulated Drill Bit Ø 2.2 mm for Ø 3.0 mm Screws (AO Type)	2
3	113-HF-603	Cannulated Screwdriver Shaft for Ø 3.0 mm Screws	2
4	111-072	Cannulated Countersink Drill Bit	1
5	111-063	Screwdriver Handle	2
6	111-068-2	Guide Pin Ø 1.1mm for Ø 3.0 mm Screws	5
7	111-061	Depth Gauge for Ø 2.3 / Ø 3.0 mm Screws, 0 ~ 50 mm	1
8	111-067-2	Cleaning Stylet Ø 1.1 mm	1
9	111-064	Screw Holding Forceps	1
10	114-009	Grasping Forceps	1
11	111-057	Double Drill Guide for Ø 3.0 mm Screws	1



## 4.0 Set Configuration

4.0 mm Cannulated Screws				4.0 mm Cannulated Screws			
No	Code	Description	Set Quantity	No	Code	Description	Set Quantity
1	40-CO-020-T	Length 20 mm	4	1	40-CO-042-T	Length 42 mm	4
2	40-CO-022-T	Length 22 mm	4	2	40-CO-046-T	Length 46 mm	4
3	40-CO-024-T	Length 24 mm	4	3	40-CO-050-T	Length 50 mm	4
4	40-CO-026-T	Length 26 mm	4	4	40-CO-054-T	Length 54 mm	4
5	40-CO-028-T	Length 28 mm	4	5	40-CO-058-T	Length 58 mm	4
6	40-CO-030-T	Length 30 mm	4	6	40-CO-062-T	Length 62 mm	4
7	40-CO-034-T	Length 34 mm	4	7	40-CO-066-T	Length 66 mm	4
8	40-CO-038-T	Length 38 mm	4	8	40-CO-070-T	Length 70 mm	4

Instruments			
No	Code	Description	Set Quantity
1	112-120	ARIX 4.0 Cannulated Screw System Tray	1
2	112-40-701	Cannulated Drill Bit Ø 2.8 mm for Ø 4.0 mm Cannulated Screw (AO Type)	2
3	113-HF-617	T15 Driver Inner Hole Ø 1.4 mm	2
4	111-072	Cannulated Countersink Drill Bit	1
5	111-063	Screwdriver Handle	1
6	111-062	Depth Gauge for Ø 4.0 mm Cannulated Screws	1
7	111-098	Drill Guide for Ø 4.0 mm Cannulated Screws	1
8	111-068-5	Guide Pin Ø 1.3 mm for Ø 4.0 mm Cannulated Screws	10
9	111-067-5	Cleaning Stylet Ø 1.3 mm	2
10	111-069-6	Compression Washer for Ø 4.0 mm Screws	6
11	111-096	Dispenser	1

## 4.5 / 6.0 Set Configuration

4.5 mm Cannulated Screws				6.0 mm Cannulated Screws			
No	Code	Description	Set Quantity	No	Code	Description	Set Quantity
1	45-CS-020	Length 20 mm	3	1	60-CS-030	Short Thread Screw, Length 30 mm	3
2	45-CS-022	Length 22 mm	3	2	60-CS-035	Short Thread Screw, Length 35 mm	3
3	45-CS-024	Length 24 mm	3	3	60-CS-040	Short Thread Screw, Length 40 mm	3
4	45-CS-026	Length 26 mm	3	4	60-CS-045	Short Thread Screw, Length 45 mm	3
5	45-CS-028	Length 28 mm	3	5	60-CS-050	Short Thread Screw, Length 50 mm	3
6	45-CS-030	Length 30 mm	3	6	60-CS-055	Short Thread Screw, Length 55 mm	3
7	45-CS-032	Length 32 mm	3	7	60-CS-060	Short Thread Screw, Length 60 mm	3
8	45-CS-034	Length 34 mm	3	8	60-CS-065	Short Thread Screw, Length 65 mm	3
9	45-CS-036	Length 36 mm	3	9	60-CS-070	Short Thread Screw, Length 70 mm	3
10	45-CS-038	Length 38 mm	3	10	60-CS-075	Short Thread Screw, Length 75 mm	3
11	45-CS-040	Length 40 mm	3	11	60-CS-080	Short Thread Screw, Length 80 mm	3
12	45-CS-042	Length 42 mm	3	12	60-CS-045L	Long Thread Screw, Length 45 mm	3
13	45-CS-044	Length 44 mm	3	13	60-CS-050L	Long Thread Screw, Length 50 mm	3
14	45-CS-046	Length 46 mm	3	14	60-CS-055L	Long Thread Screw, Length 55 mm	3
15	45-CS-048	Length 48 mm	3	15	60-CS-060L	Long Thread Screw, Length 60 mm	3
16	45-CS-050	Length 50 mm	3	16	60-CS-065L	Long Thread Screw, Length 65 mm	3
17	45-CS-052	Length 52 mm	3	17	60-CS-070L	Long Thread Screw, Length 70 mm	3
18	45-CS-054	Length 54 mm	3	18	60-CS-075L	Long Thread Screw, Length 75 mm	3
19	45-CS-056	Length 56 mm	3	19	60-CS-080L	Long Thread Screw, Length 80 mm	3
20	45-CS-060	Length 60 mm	3				

Instruments			
No	Code	Description	Set Quantity
1	112-076	ARIX 4.5 / 6.0 Cannulated Screw System Tray	1
2	112-45-601	Cannulated Drill Bit Ø 3.5 mm for Ø 4.5 mm Screws(Drilling length: 85 mm, Overall length: 120 mm)	2
3	112-60-601	Cannulated Drill Bit Ø 4.8 mm for Ø 6.0 mm Screws(Drilling length: 105 mm, Overall length: 140 mm)	2
4	113-HF-604	Cannulated Screwdriver Shaft for Ø 4.5 mm Screws	2
5	113-HF-605	Cannulated Screwdriver Shaft for Ø 6.0 mm Screws	2
6	111-063	Screwdriver Handle	2
7	111-068-3	Guide Pin Ø 1.6 mm for Ø 4.5 mm Screws	3
8	111-068-4	Guide Pin Ø 2.0 mm for Ø 6.0 mm Screws	3
9	111-062	Depth Gauge for Ø 4.5 / Ø 6.0 mm Screws, 0 ~ 80 mm	1
10	111-067-3	Cleaning Stylet Ø 1.6 mm	1
11	111-067-4	Cleaning Stylet Ø 2.0 mm	1
12	111-064	Screw Holding Forceps	1
13	114-009	Grasping Forceps	1
14	111-072	Cannulated Countersink Drill Bit	1
15	111-069-1	Compression Washer for Ø 4.5 mm Screws	3
16	111-069-2	Compression Washer for Ø 6.0 mm Screws	3
17	111-058	Double Drill Guide for Ø 4.5 mm Screws	1
18	111-059	Double Drill Guide for Ø 6.0 mm Screws	1

## Reference Chart - Guide Pins / Drill Bits

### 2.3 Cannulated Screws

	<i>2.3 mm Cannulated Screw</i>		<i>2.3 mm Cannulated Headless Screw</i>	
Head Diameter	Ø 3.5 mm		Ø 3.1 mm	
Shaft Diameter	Ø 1.6 mm		Ø 1.6 mm	
Core Diameter	Ø 1.6 mm		Ø 1.6 mm	
Thread Diameter	Ø 2.3 mm		Ø 2.3 mm	
Screw Length Range	Short Thread Screw	20 ~ 35 mm	Short Thread Screw	9 ~ 35 mm
	Long Thread Screw	9 ~ 35 mm	Long Thread Screw	16 ~ 35 mm
Thread Length Range	Short Thread Screw	5 ~ 6 mm	Short Thread Screw	4 ~ 6 mm
	Long Thread Screw	4 ~ 19 mm	Long Thread Screw	5 ~ 17 mm
Guide Pin	Ø 0.8 mm		Ø 0.8 mm	
Drill Bit	Ø 1.8 mm		Ø 1.8 mm	

### 3.0 Cannulated Screws

	<i>3.0 mm Cannulated Screw</i>		<i>3.0 mm Cannulated Headless Screw</i>	
Head Diameter	Ø 4.5 mm		Ø 3.5 mm	
Shaft Diameter	Ø 2.0 mm		Ø 2.0 mm	
Core Diameter	Ø 2.0 mm		Ø 2.0 mm	
Thread Diameter	Ø 3.0 mm		Ø 3.0 mm	
Screw Length Range	Short Thread Screw	8 ~ 50 mm	Short Thread Screw	10 ~ 50 mm
	Long Thread Screw	14 ~ 50 mm	Long Thread Screw	16 ~ 50 mm
Thread Length Range	Short Thread Screw	4 ~ 8 mm	Short Thread Screw	4 ~ 20 mm
	Long Thread Screw	6 ~ 28 mm	Long Thread Screw	5 ~ 26 mm
Guide Pin	Ø 1.1 mm		Ø 1.1 mm	
Drill Bit	Ø 2.2 mm		Ø 2.2 mm	

### 4.0 Cannulated Screws

	<i>4.0 mm Cannulated Screw</i>	
Head Diameter	Ø 5.0 mm	
Shaft Diameter	Ø 2.6 mm	
Core Diameter	Ø 2.3 mm	
Thread Diameter	Ø 4.0 mm	
Screw Length Range	20 ~ 70 mm	
Thread Length Range	7 ~ 23 mm	
Guide Pin	Ø 1.3 mm	
Drill Bit	Ø 2.8 mm	

### 4.5 / 6.0 Cannulated Screws

	<i>4.5 mm Cannulated Screw</i>		<i>6.0 mm Cannulated Screw</i>	
Head Diameter	Ø 6.0 mm		Ø 8.0 mm	
Shaft Diameter	Ø 3.1 mm		Ø 4.3 mm	
Core Diameter	Ø 2.7 mm		Ø 4.0 mm	
Thread Diameter	Ø 4.5 mm		Ø 6.0 mm	
Screw Length Range	20 ~ 60 mm		Short Thread Screw	30 ~ 80 mm
			Long Thread Screw	45 ~ 80 mm
Thread Length Range	7 ~ 20 mm		Short Thread Screw	16 mm
			Long Thread Screw	32 mm
Guide Pin	Ø 1.6 mm		Ø 2.0 mm	
Drill Bit	Ø 3.5 mm		Ø 4.8 mm	

**JEILMEDICAL**

JEILMEDICAL CORPORATION

702·703·704·705·706·804·805·807·812·815-ho, 55, Digital-ro 34-gil, Guro-gu, Seoul, 08378, Rep. of Korea

DOMESTIC SALES      T 82.2.850.3500   F 82.2.850.3535   E jeil@jeilmed.co.kr

INTERNATIONAL SALES   T 82.2.850.3935   F 82.2.850.3537   E global@jeilmed.co.kr

[www.jeilmed.co.kr](http://www.jeilmed.co.kr)

Print Date: 2020-08-25   25-A01(03)